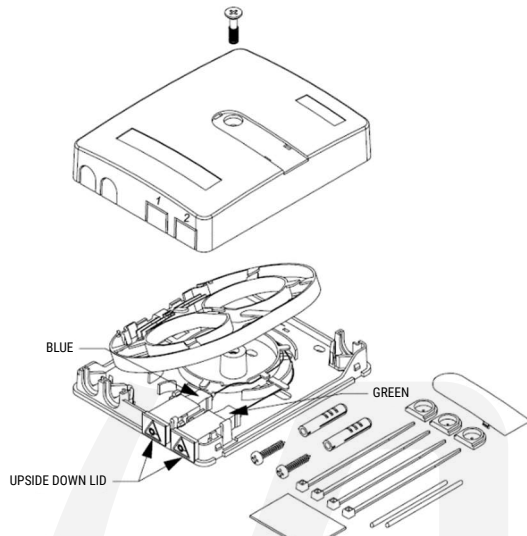


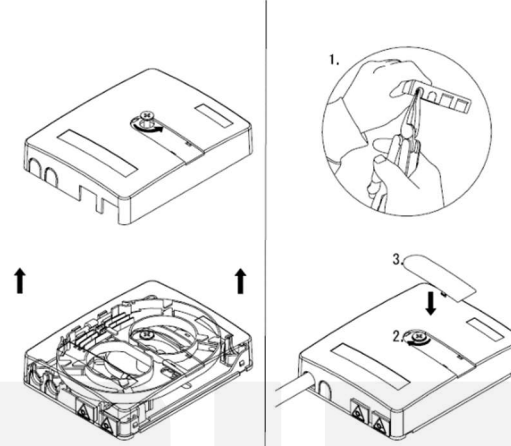
1. KIT CONTENT



The kit includes:

- Wallbox
- Stainless steel M4 nut and screw (Installed)
- Pigtail SC/APC (Installed) (2 units)
- SP/APC Adapter with upside down lid (Installed)(2 units)
- Small lid
- Grommets (3 units)
- Tie-wraps (4 units)
- Expansion dowels 5mm (2 units)
- Wall screws (2 units)
- Foam band 40 mm x 30 mm
- Splice protector (2 units)

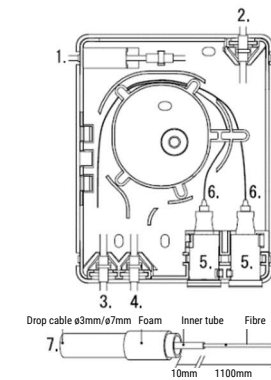
2. OPENING AND CLOSING OF THE BOX



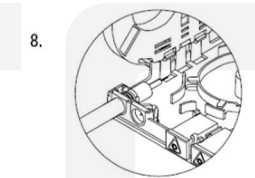
To open the box:
Unscrew and move the cover in the direction of the arrows

To close the box:
1. The detail shows the opening procedure by removing the die-cut plastic to be able to close the lid once the cable has been installed
2. Screw the M4 screw
3. Close completely by inserting the small lid

3. PLACEMENT OF PIGTAIL & 4 DROP ENTRIES

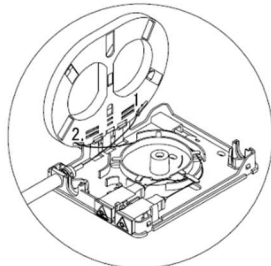
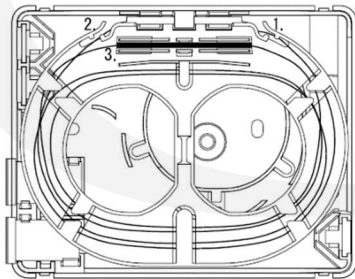


Drop cable $\phi 3\text{mm}/\phi 7\text{mm}$ 10mm 1100mm



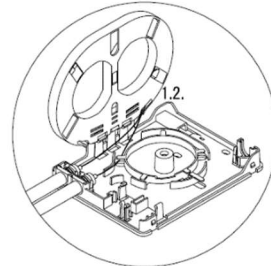
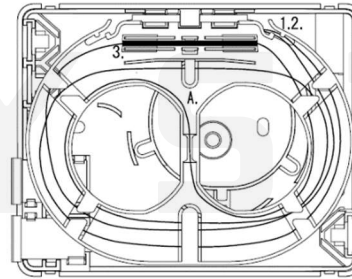
1. Back drop entry access
2. Drop entry access
3. Drop entry access
4. Drop entry access
5. SP/APC Adapter
6. Pigtail SC/APC
7. Inner tube and Fibre dimensions
8. Detail of the lock of the drop entry

4. FUSION SPLICE: DROP CABLE/PIGTAIL



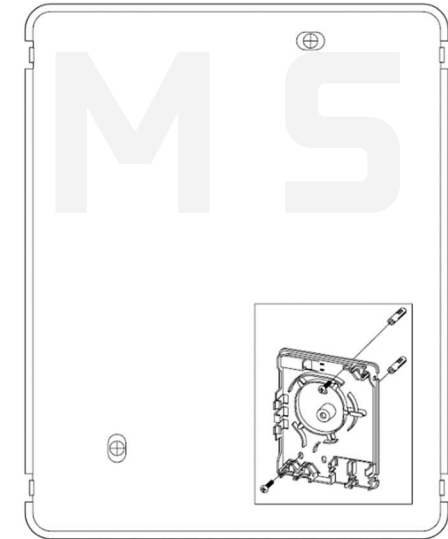
1. Access of drop cable
2. Access of pre-installed Pigtail
3. Fusion splice

5 FUSION SPLICE: 2 DROP CABLES IN SAME DIRECTION



- A. Change of turn of one drop cable
1. Access of EXTERIOR drop cable
 2. Access of INTERIOR drop cable
 3. Fusion splice

6. TEMPLATE FOR ALLOCATION OF WALL SCREWS



IMPORTANT: Please use this template to drill the holes in the wall necessary to install the product.